



Installation Instructions for IUP013E
Mitsubishi Pajero / Montero
Underbody Protection Plate

Engine Bay



MITSUBISHI Pajero III; (V60; 2.5 TDI; 3.2 DI-D; 3.5V6 GDI) **2000-2007**
MITSUBISHI Pajero IV (V80; 3.8; 3.2 DI-D) **2007-**

Part Number:

IUP013E

Installation Time:

30 min



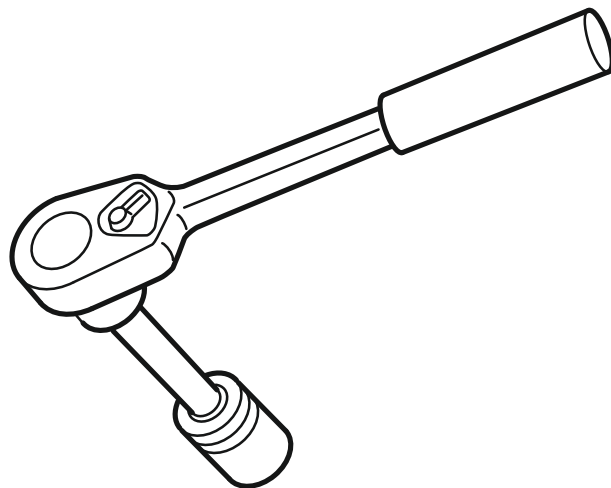
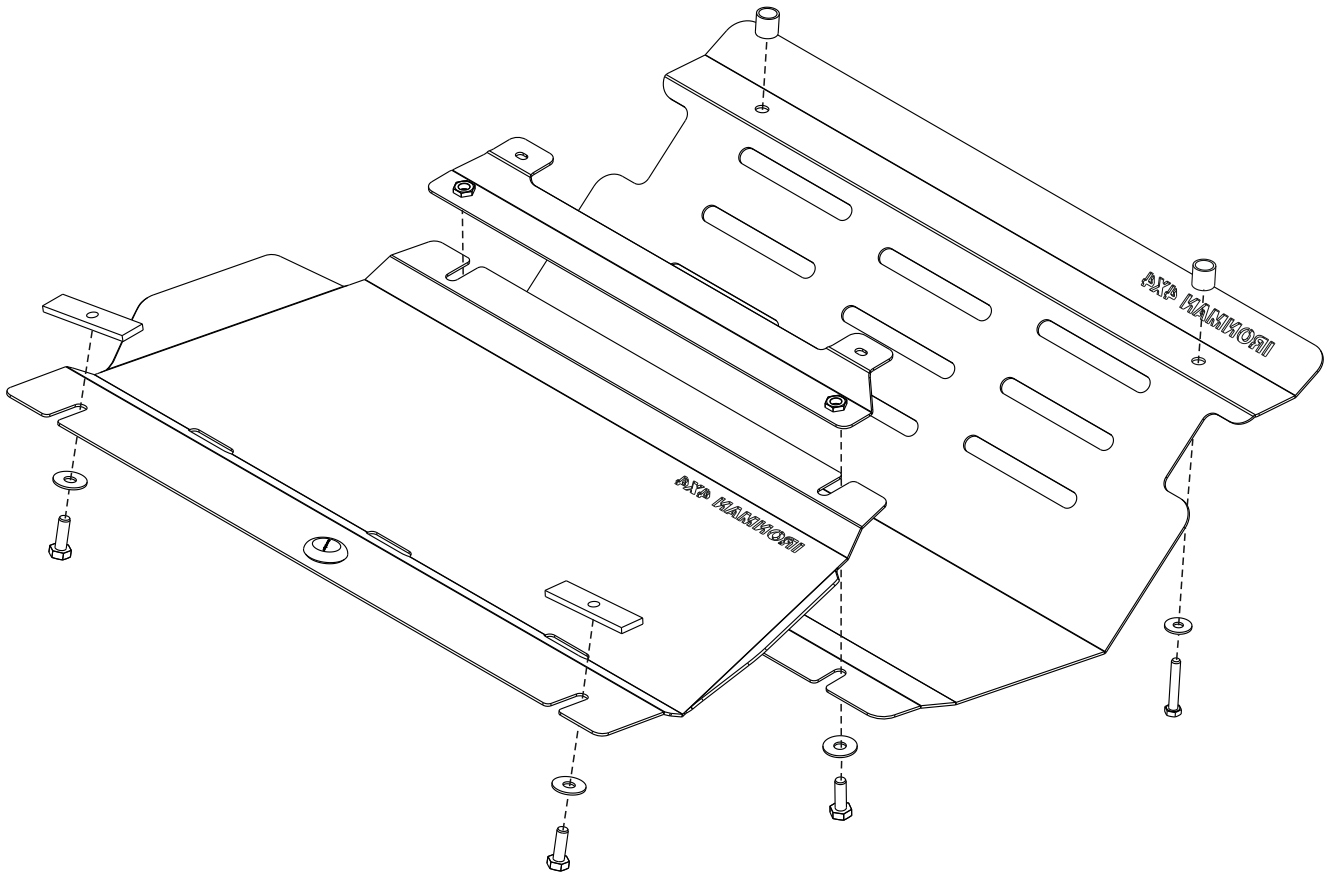
Location Position Arrow

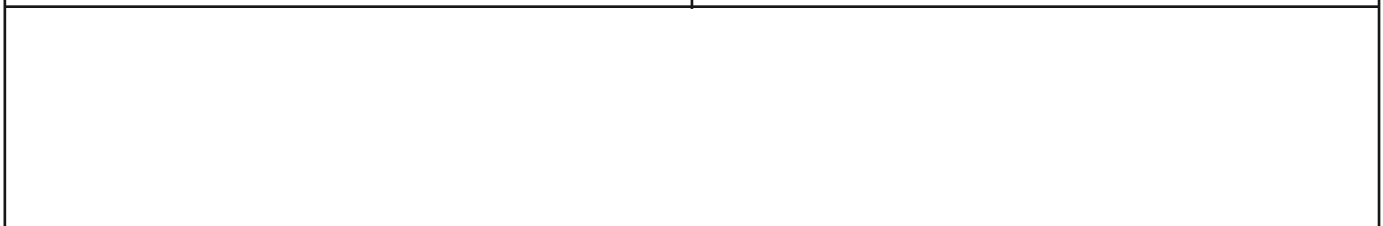
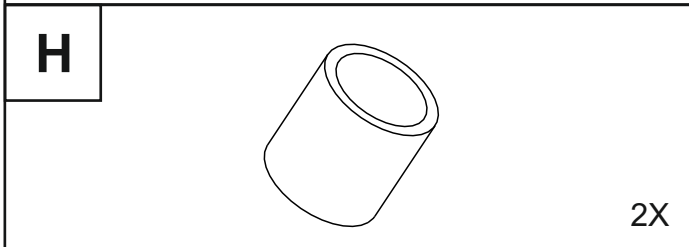
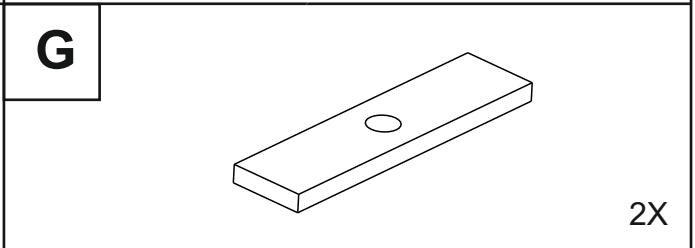
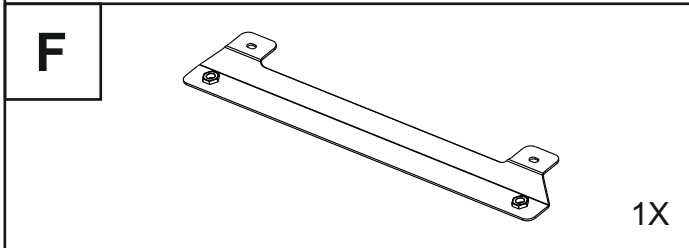
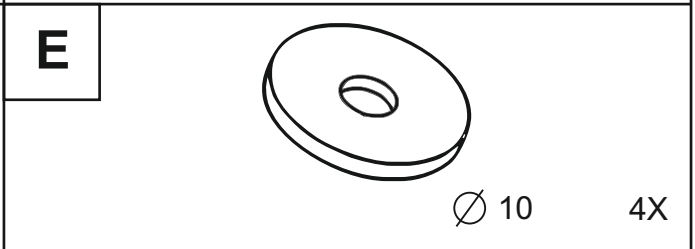
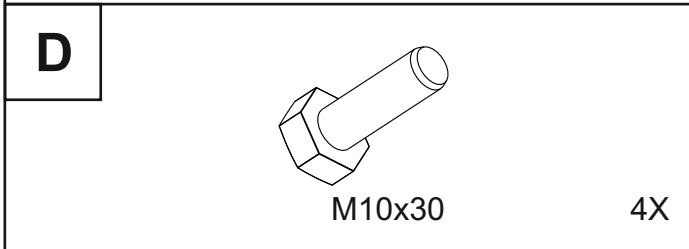
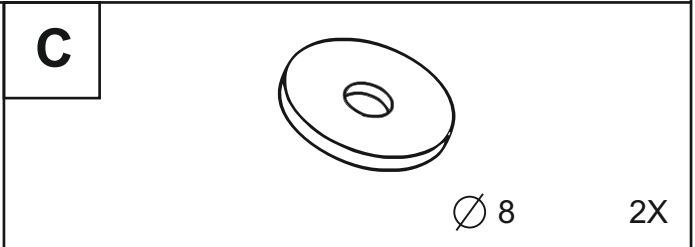
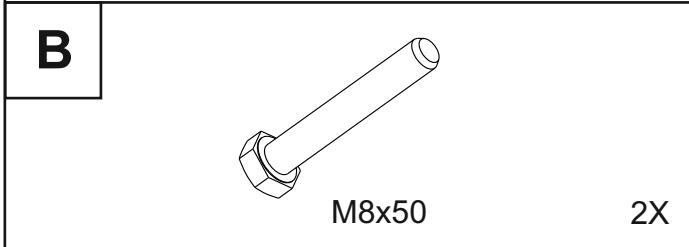
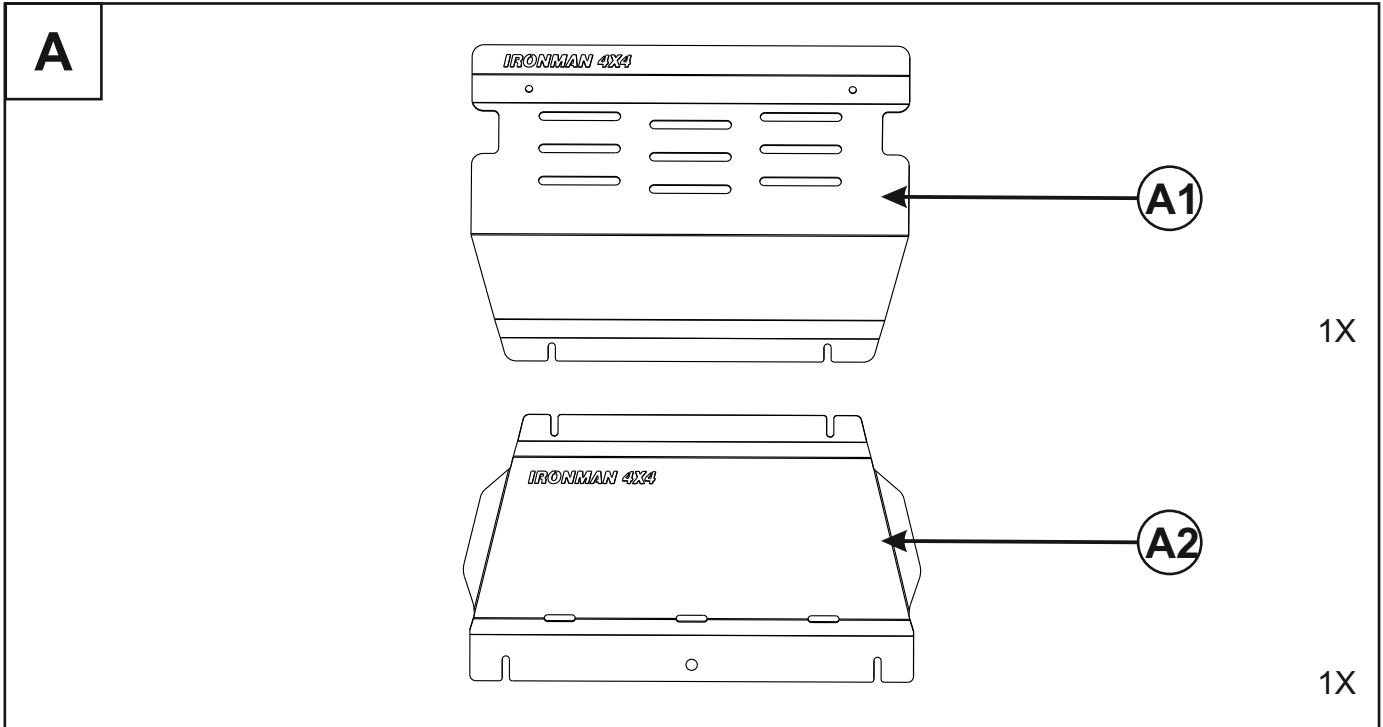


Movement Arrow



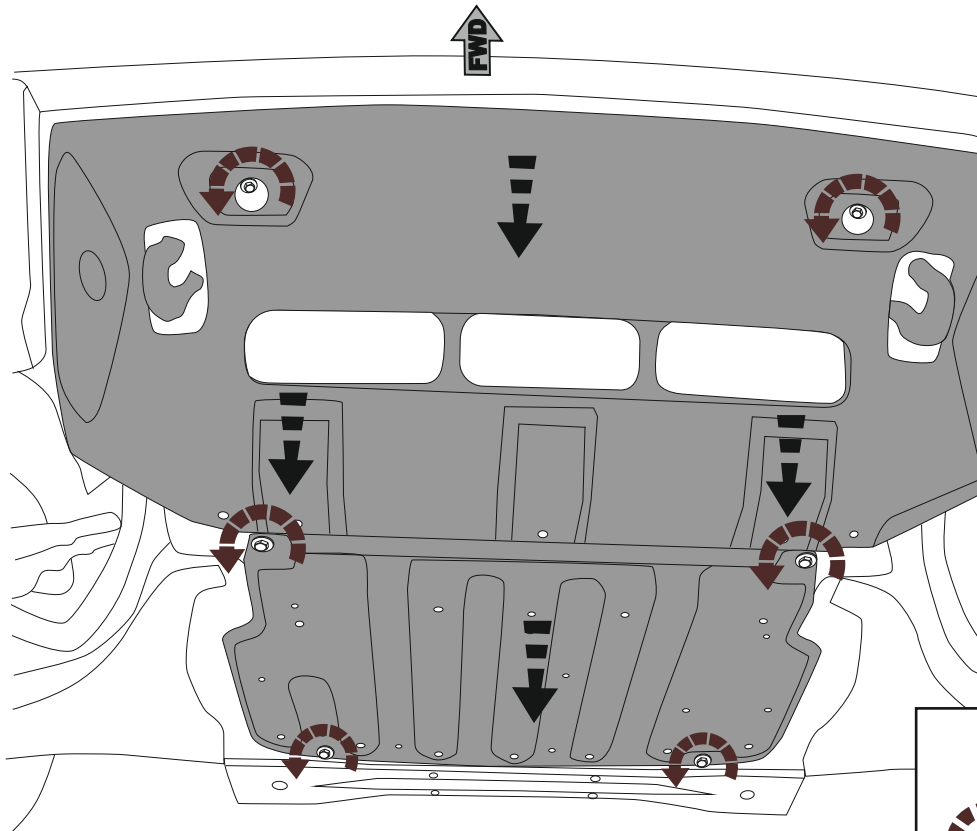
Screw Arrow



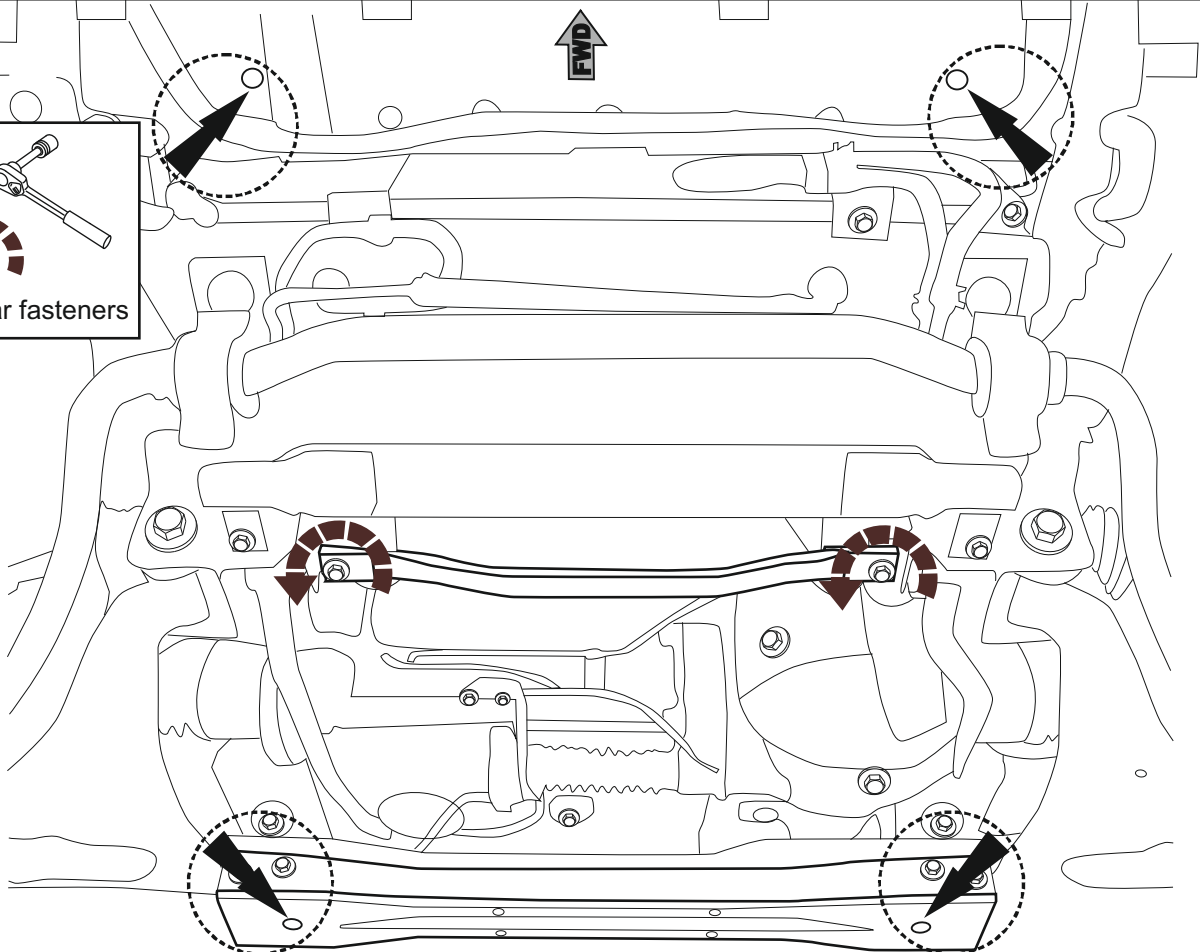
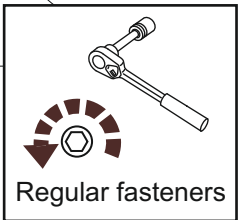


IUP013E





1

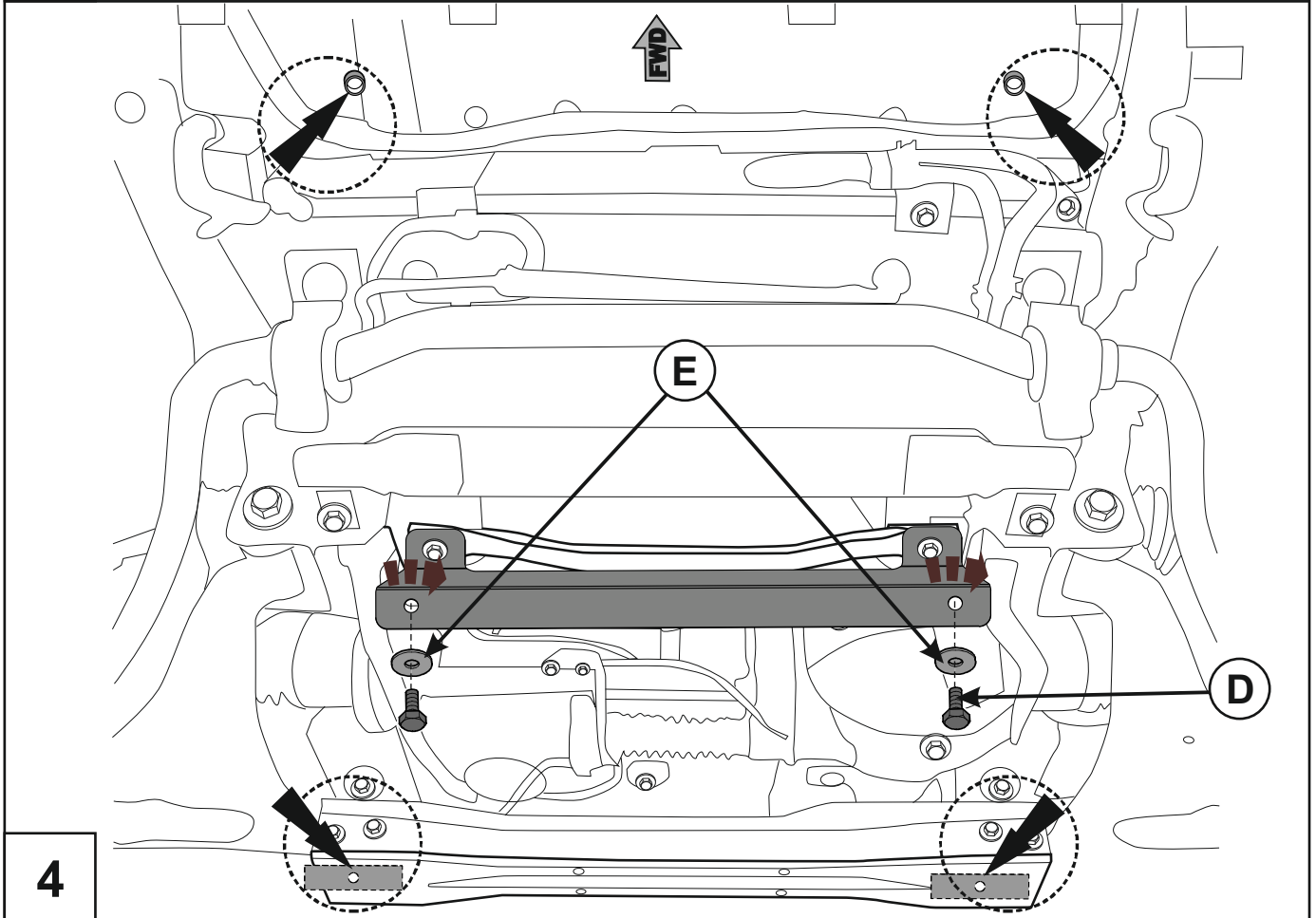
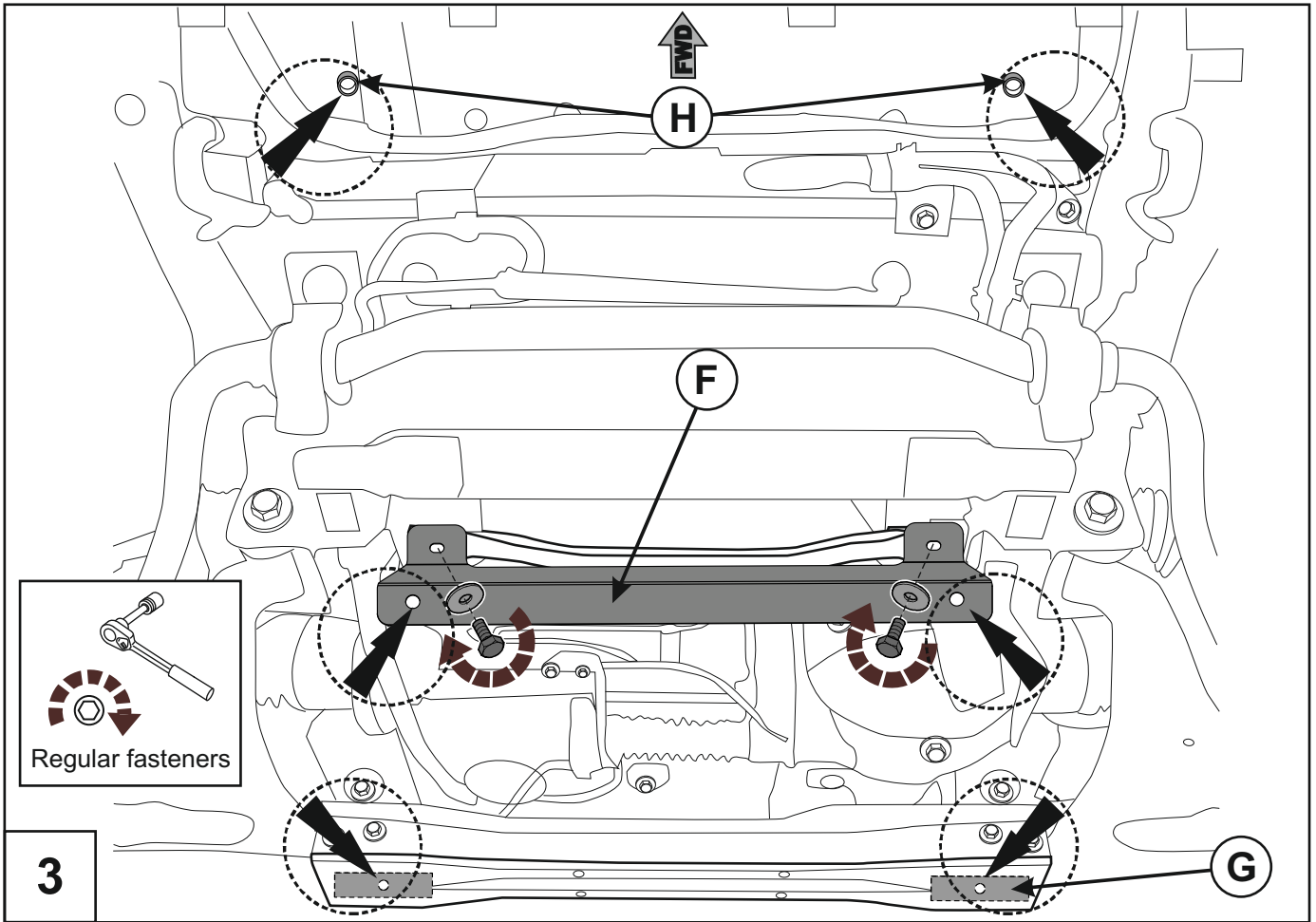


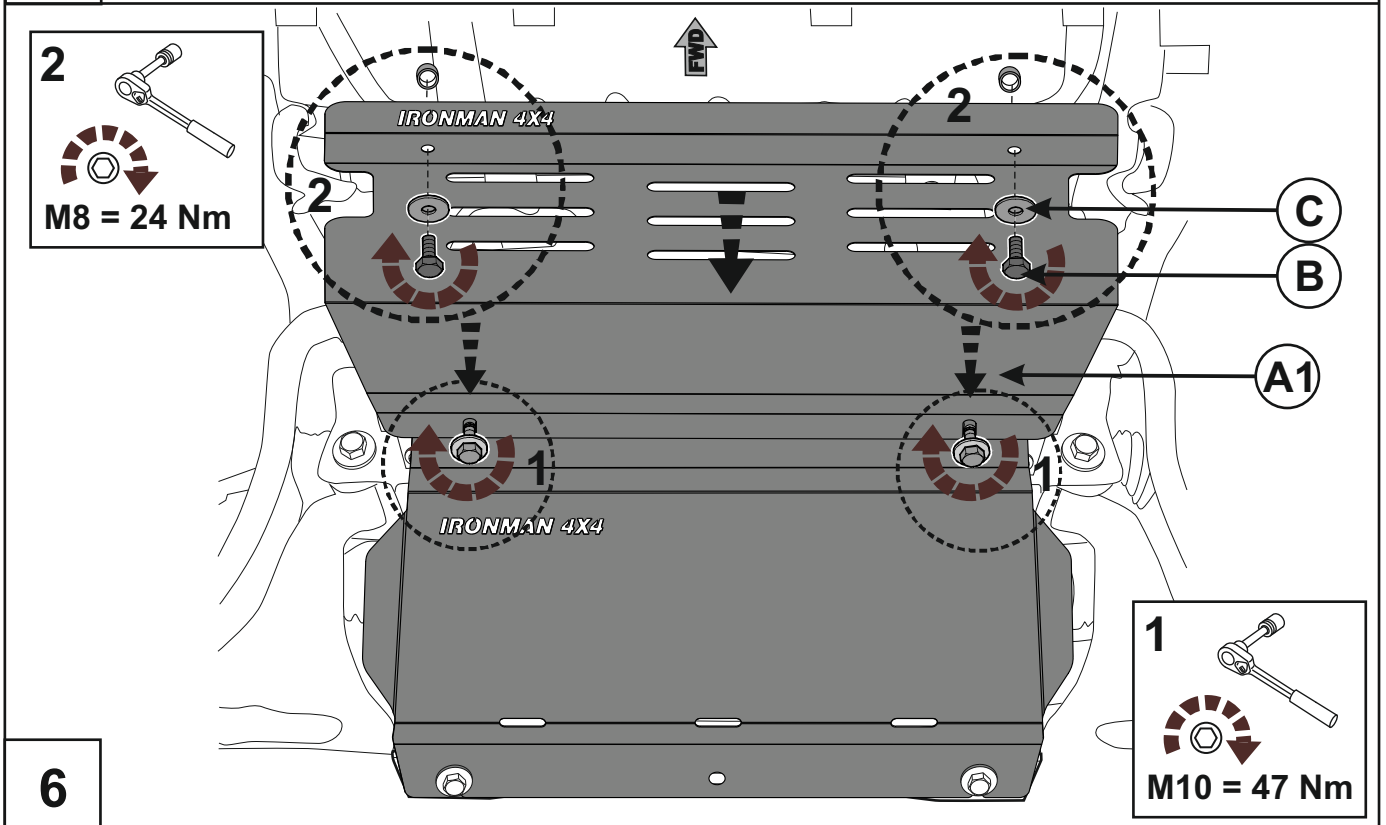
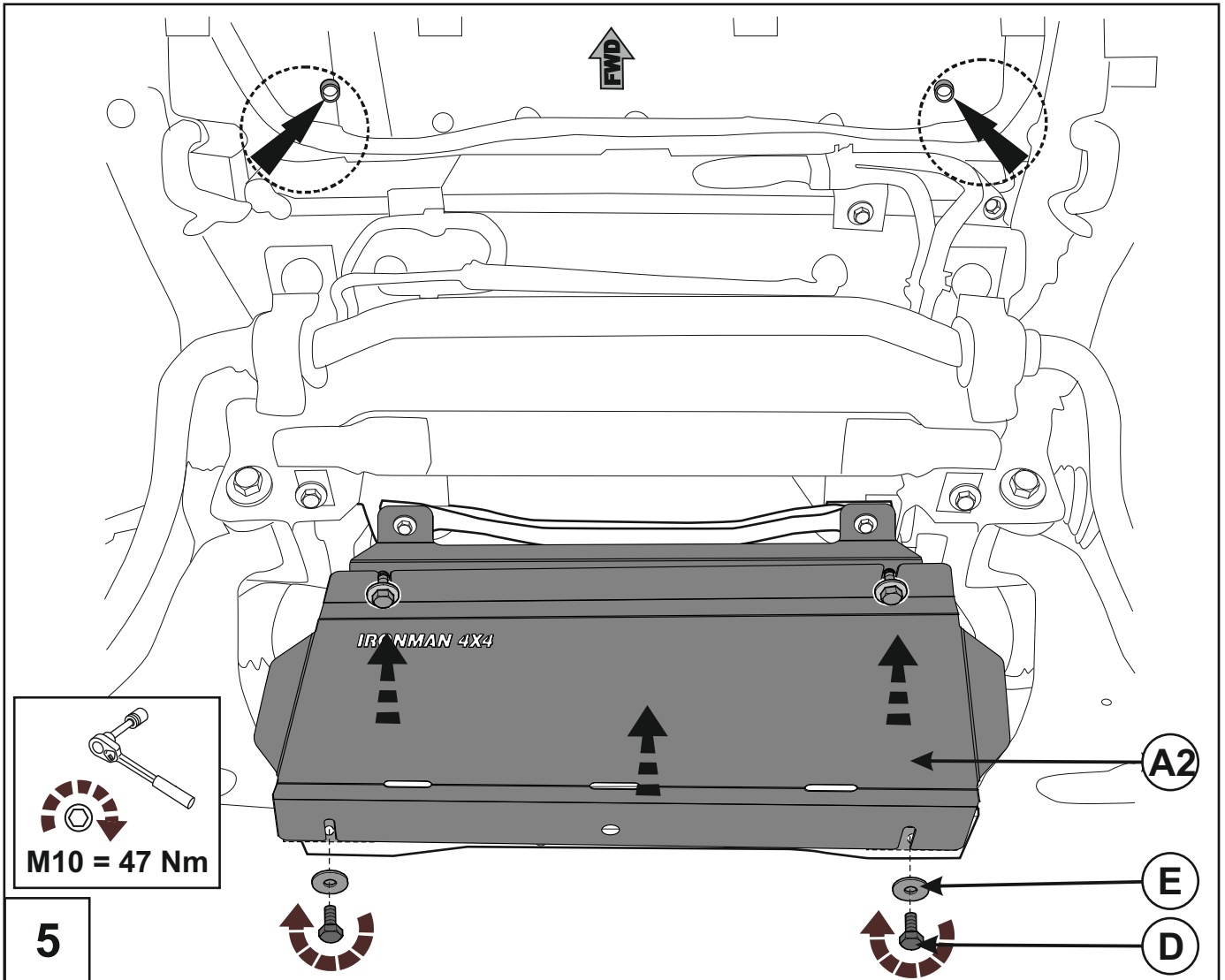
2

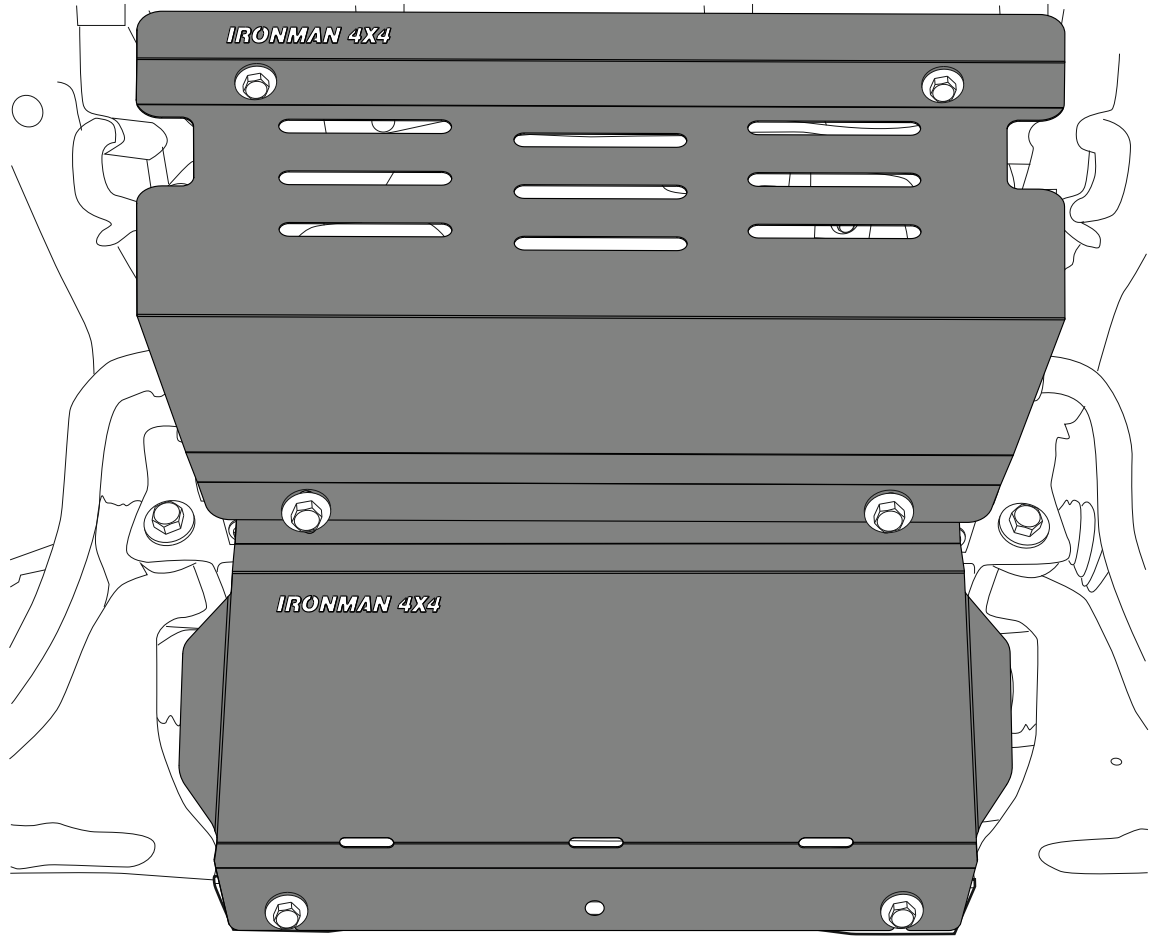


IUP013E

4/7







7

www.ironman4x4.com

**IRONMAN 4X4
MELBOURNE SHOWROOM**
Cnr Centre & Westall Roads,
Clayton, Victoria 3168
Telephone +61 3 9532 1111

**IRONMAN 4X4
BRISBANE SHOWROOM**
1 Hinkler Court
Brendale, QLD, 4500
Telephone (07) 3482 9500

**IRONMAN 4X4
PERTH SHOWROOM**
Unit 9/511 Abernethy Road
Kewdale, WA, 6105
Telephone (08) 6254 4444



IUP013E

717



Installation Instructions for IUP013T
Mitsubishi Pajero / Montero
Underbody Protection Plate

Transmission



MITSUBISHI Pajero III; (V60; 2.5 TDI; 3.2 DI-D; 3.5V6 GDI) **2000-2007**
MITSUBISHI Pajero IV (V80; 3.8; 3.2 DI-D) **2007-**

Part Number:

IUP013T

Installation Time:

30 min



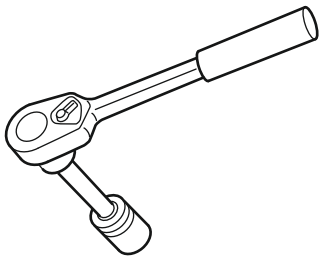
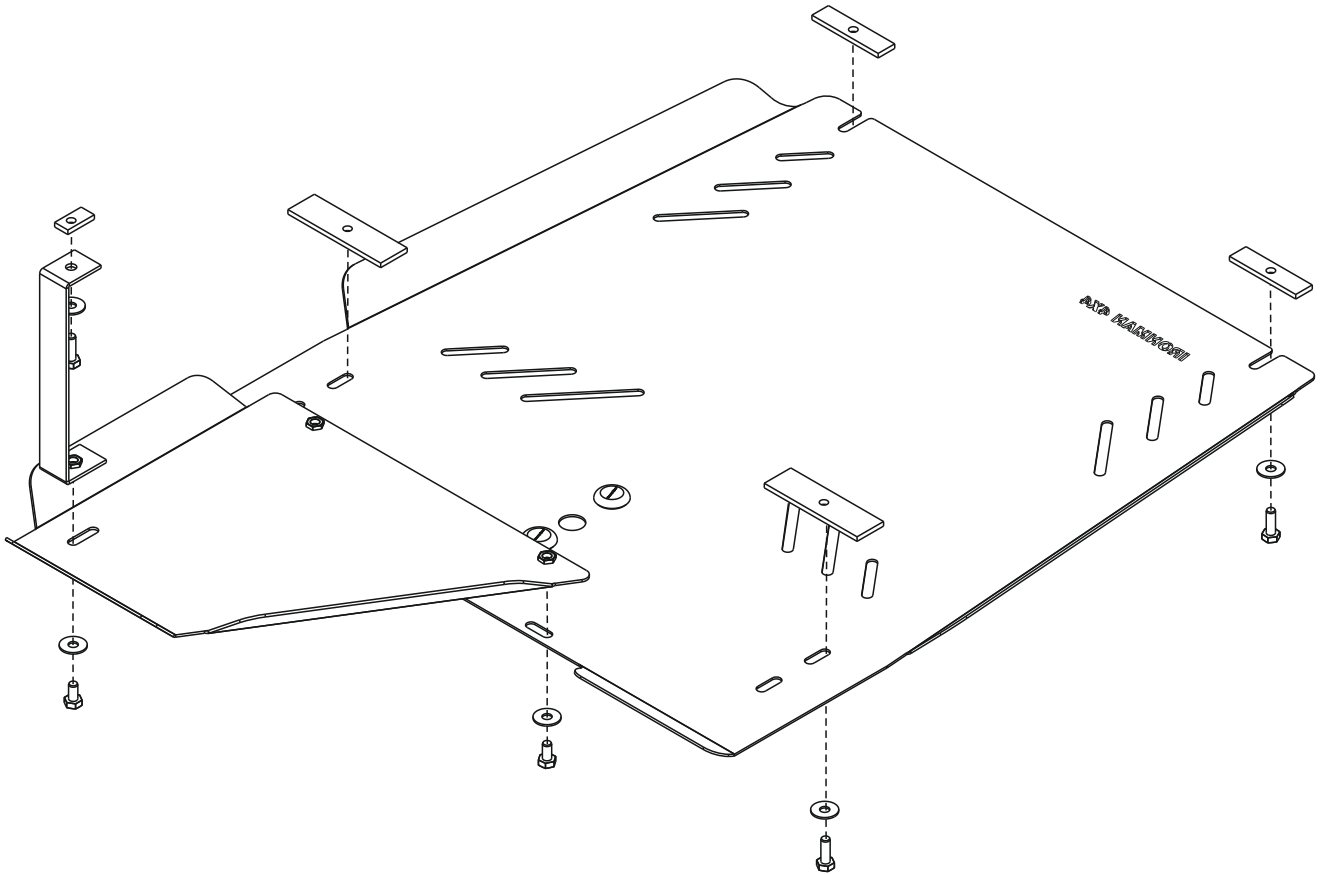
Location Position Arrow



Movement Arrow

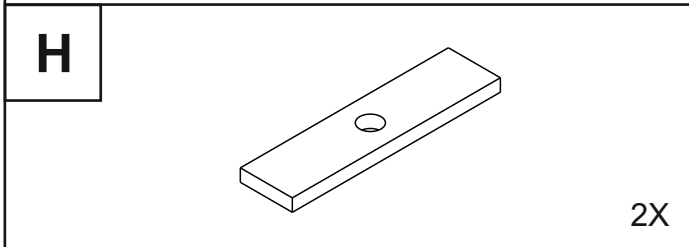
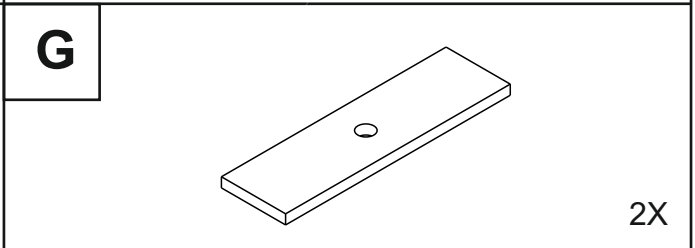
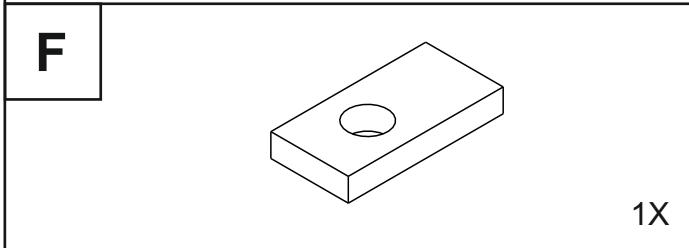
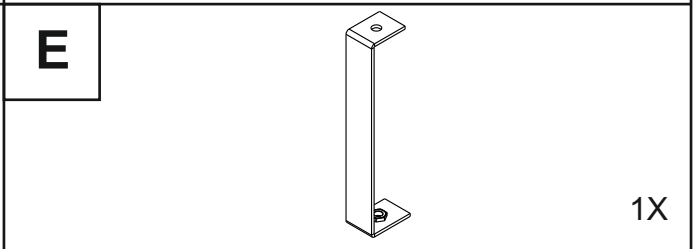
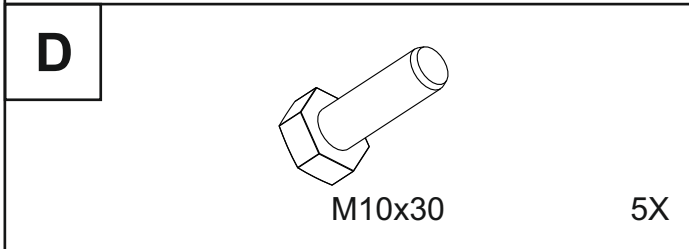
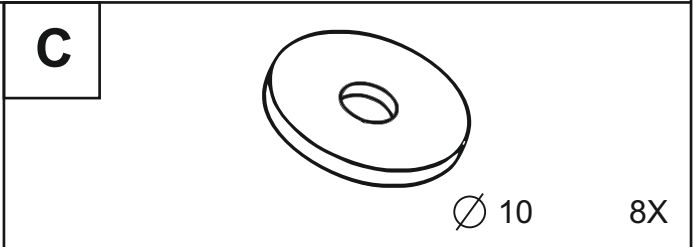
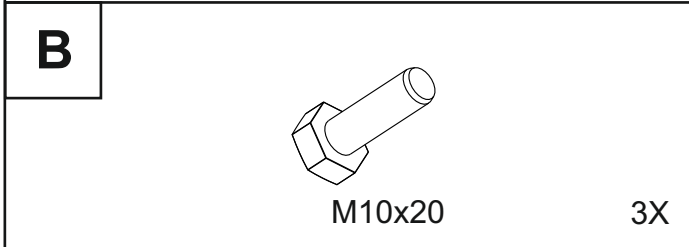
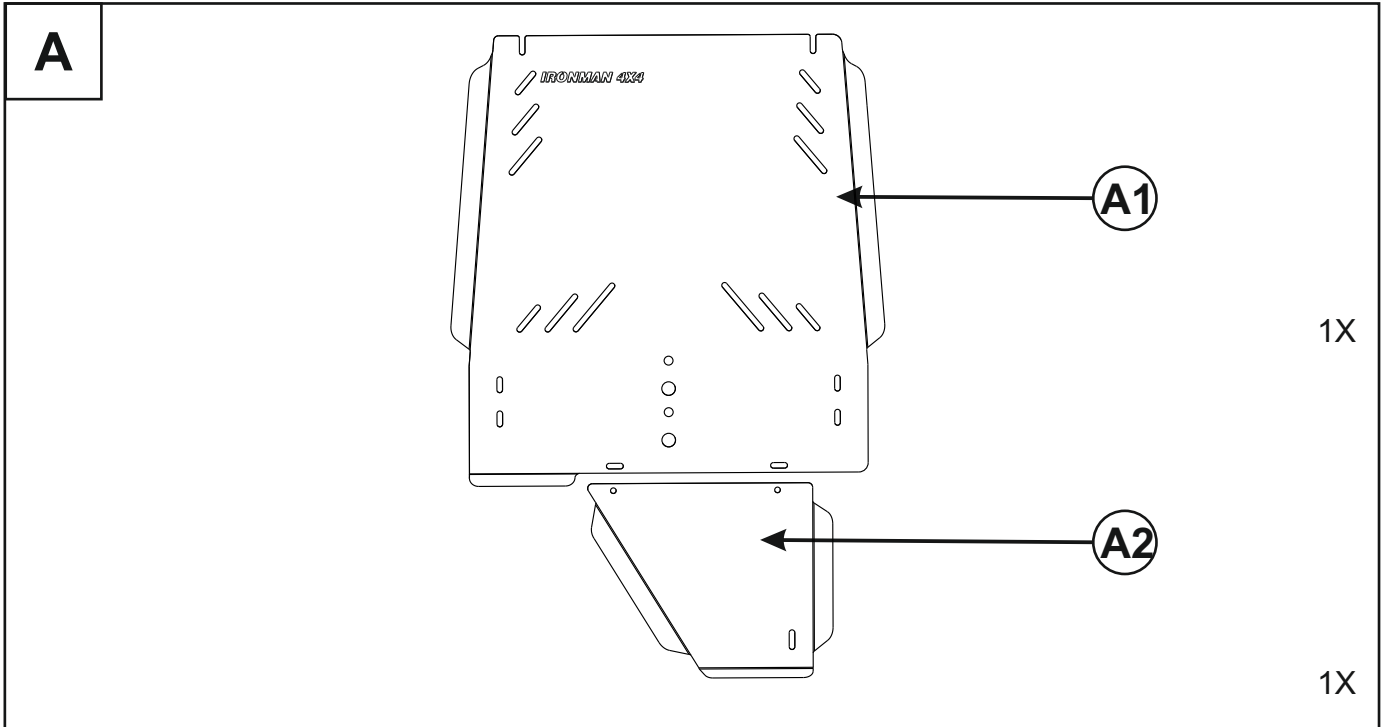


Screw Arrow

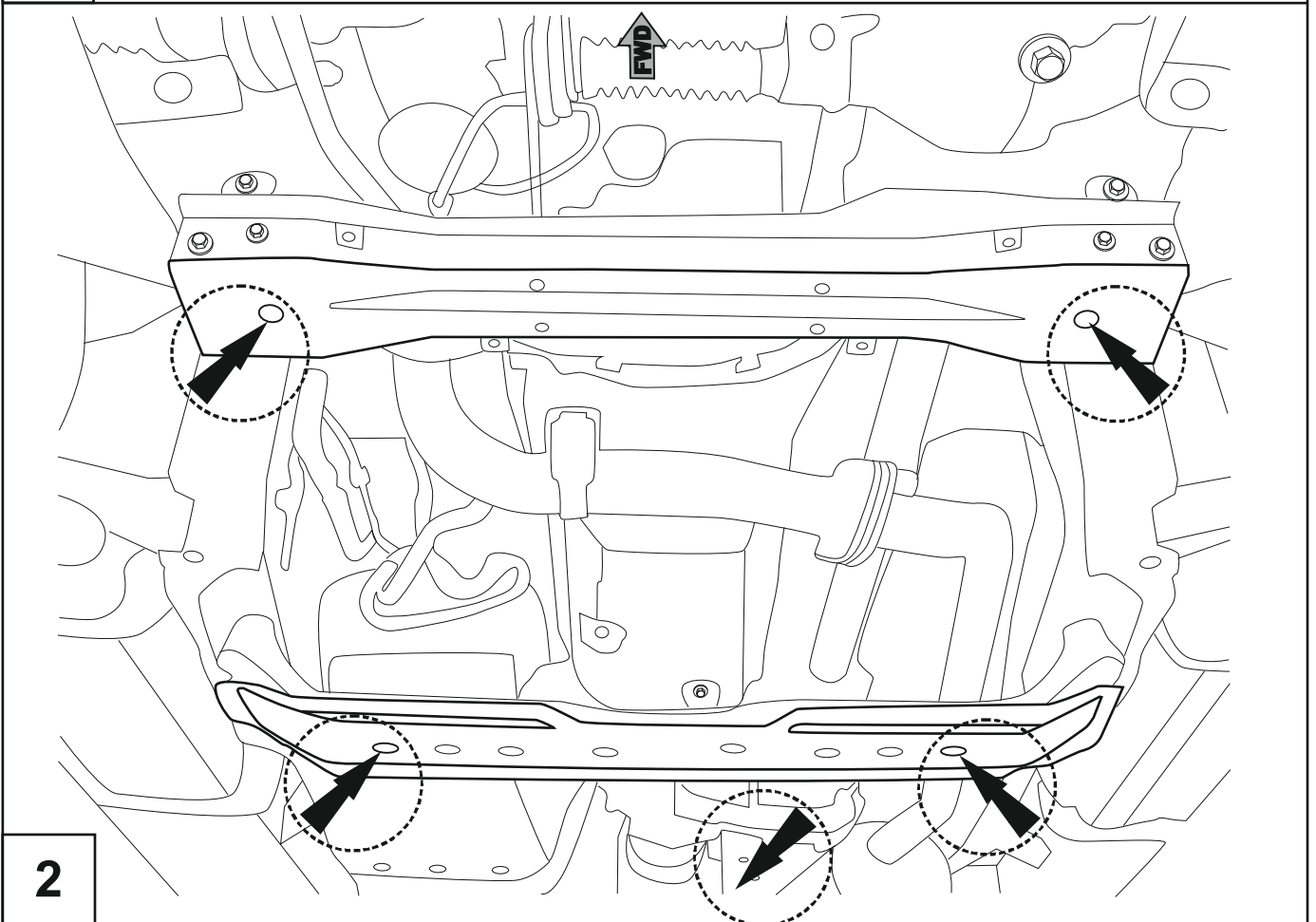
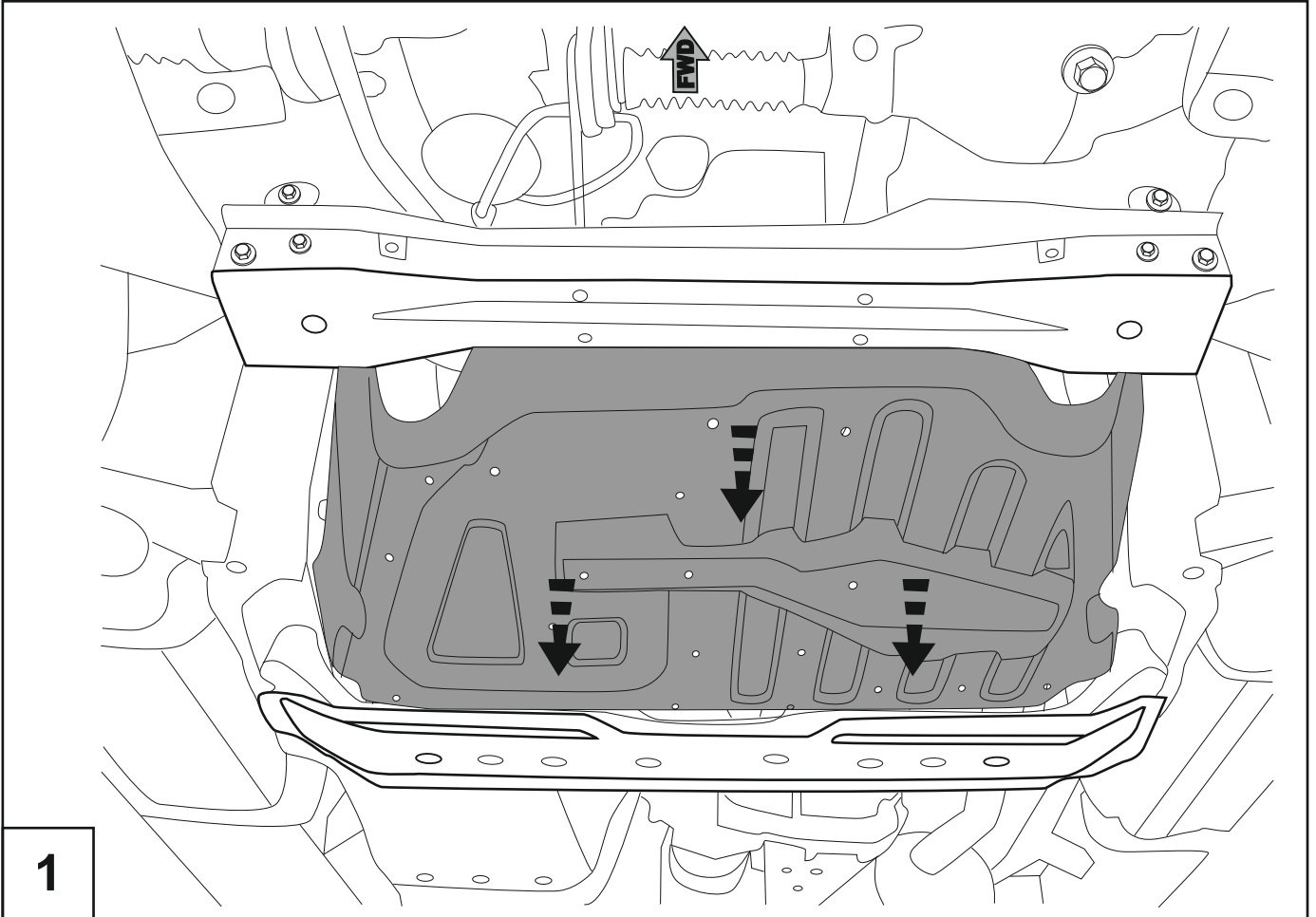


IUP013E

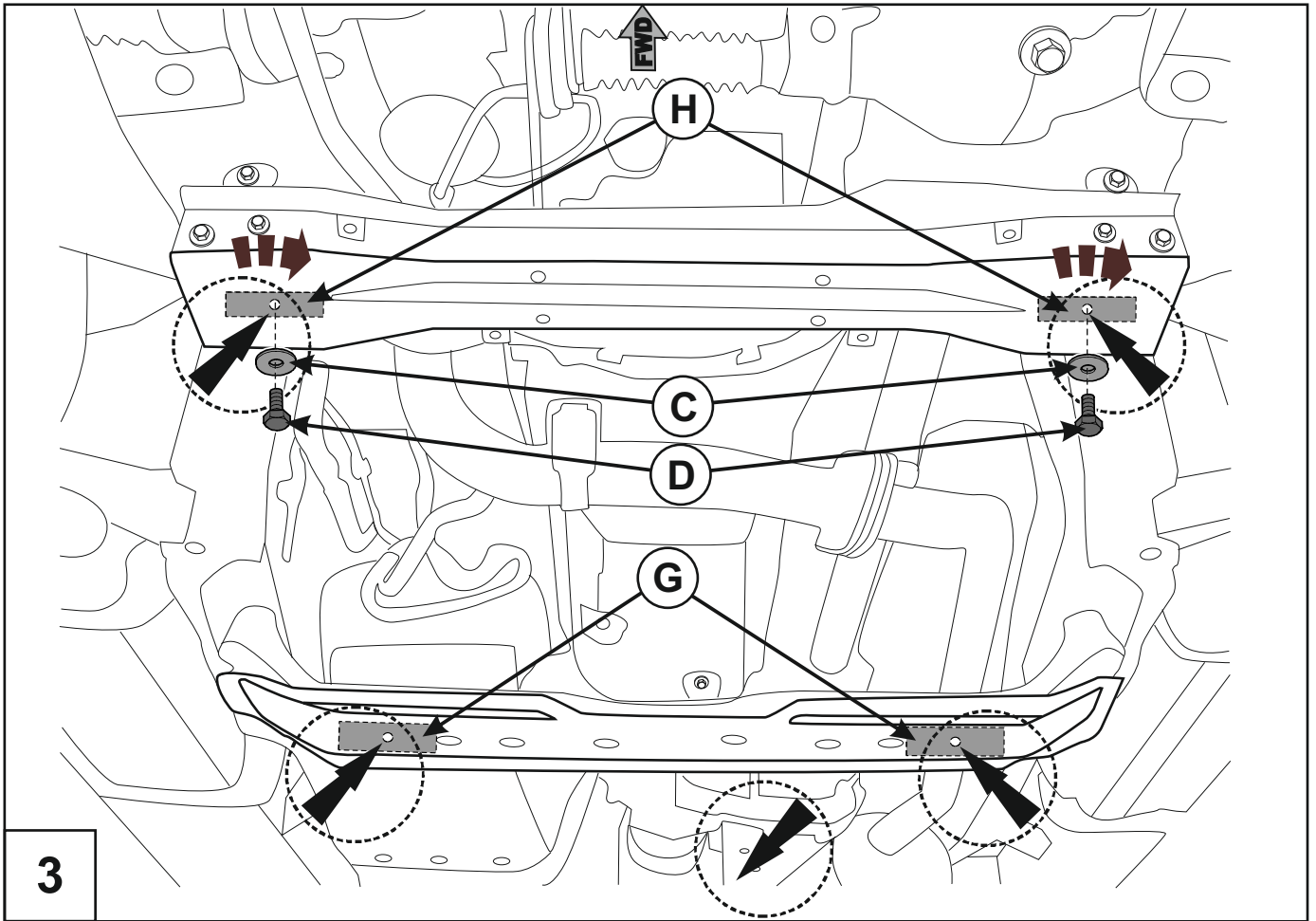
217



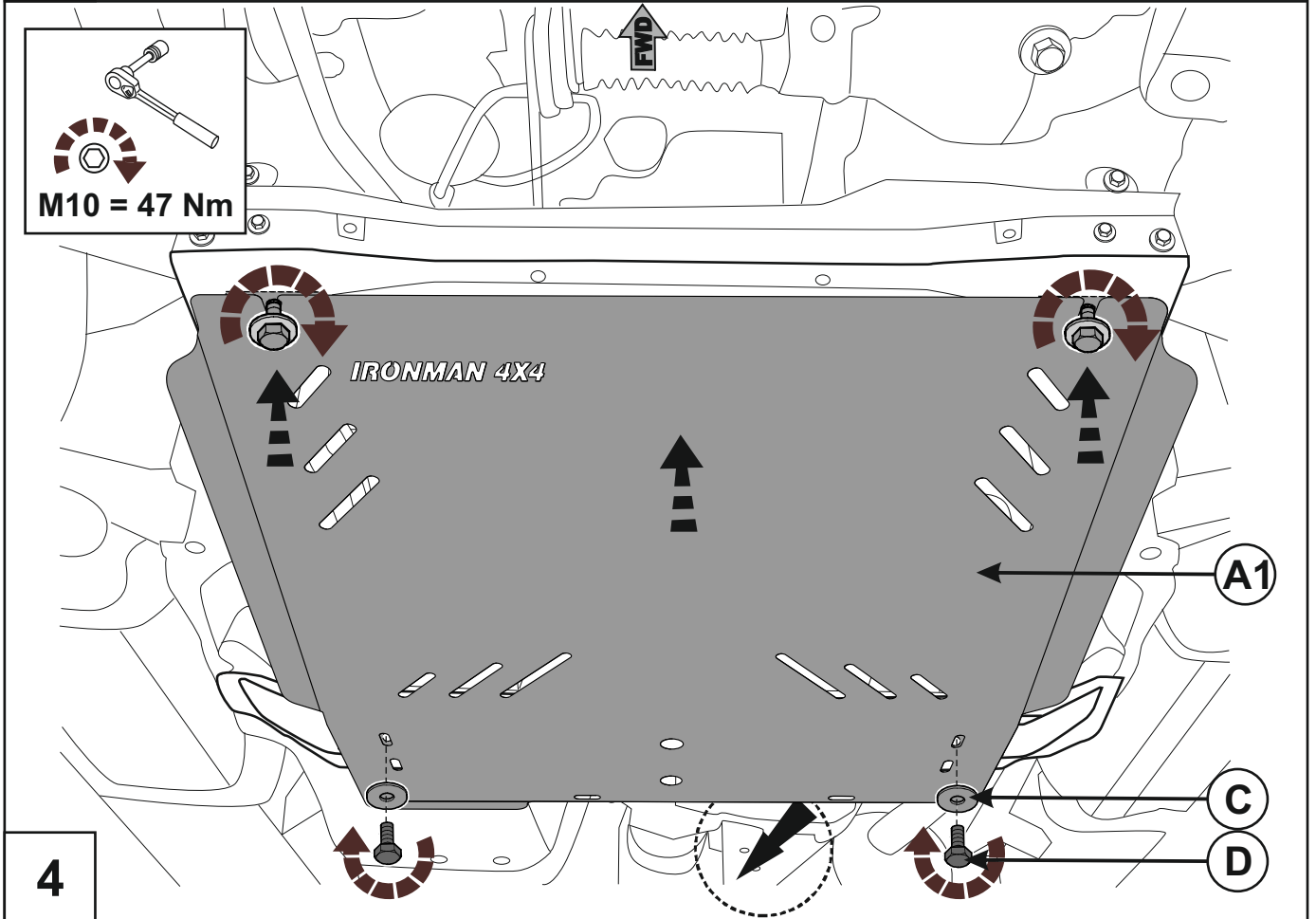
IUP013E



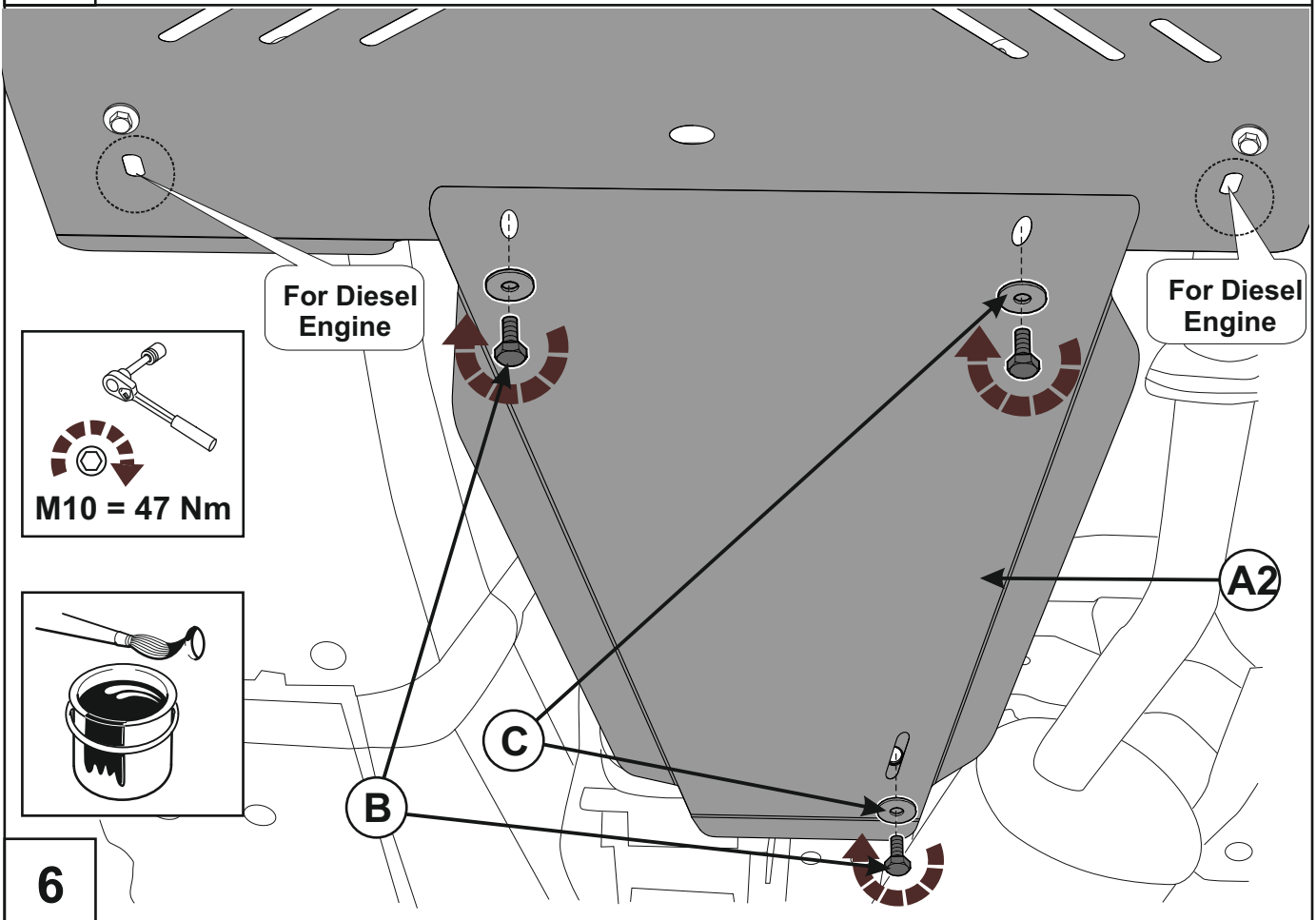
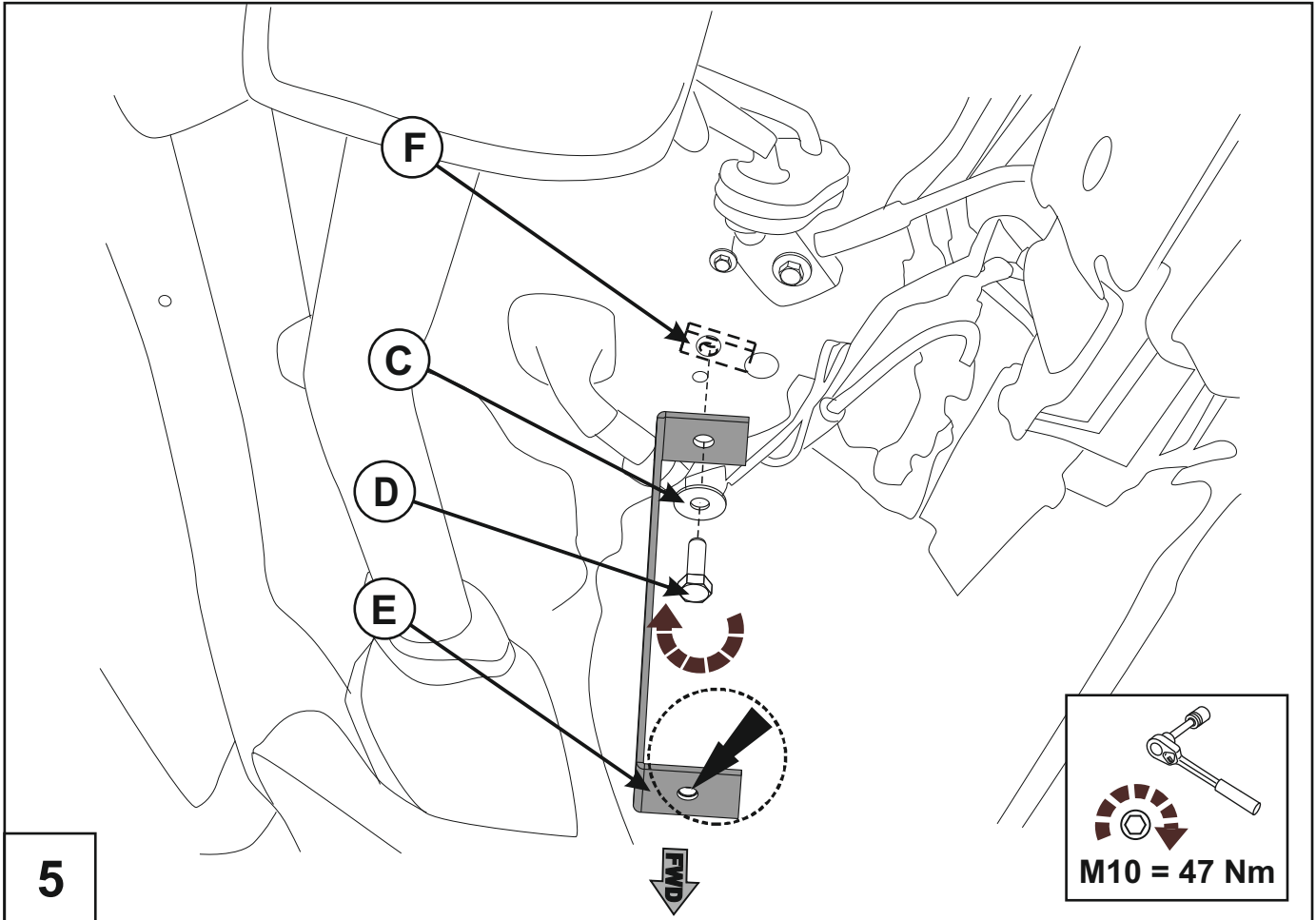
IUP013E

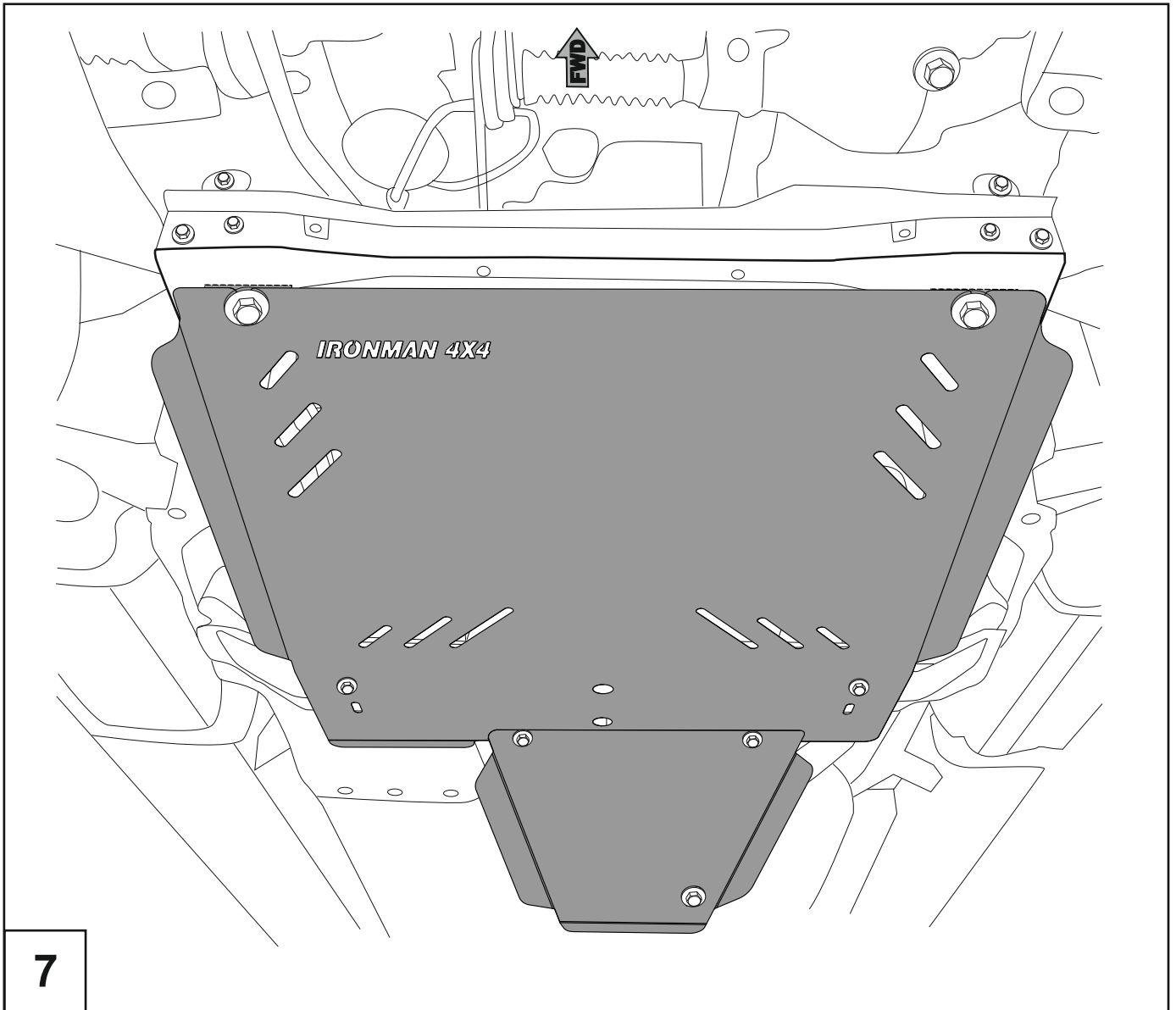


3



4





www.ironman4x4.com

**IRONMAN 4X4
MELBOURNE SHOWROOM**
Cnr Centre & Westall Roads,
Clayton, Victoria 3168
Telephone +61 3 9532 1111

**IRONMAN 4X4
BRISBANE SHOWROOM**
1 Hinkler Court
Brendale, QLD, 4500
Telephone (07) 3482 9500

**IRONMAN 4X4
PERTH SHOWROOM**
Unit 9/511 Abernethy Road
Kewdale, WA, 6105
Telephone (08) 6254 4444



IUP013E

717